



## Polyester distribution boxes

### Description

Polyester distribution boxes have been of great advantage in many industrial plants. They offer safe protection even when they are exposed to extreme environmental conditions, aggressive chemical media or high mechanical stress.

The narrow sides within the enclosure hold threaded bushings for the fixing of terminal rails or mounting panels. The enclosure is mounted by means of insulated screws outside of the lid sealing gasket.

These black high-quality explosion-proofed enclosures are used in hazardous areas by inflammable dust (Zone 21 and 22). The fundamental prerequisites of the „protection through enclosure“ protection class are fulfilled with the heating up calculation as per the accompanying sheet and a separate IP protection test.

### ➤ Explosion protection

#### Ex protection type

- ⊕ II 2G Ex e II T6, T5
- ⊕ II 2G Ex e ia IIC T6, T5
- ⊕ II 2D Ex tD A21 IP6x T 80 °C

#### Certification

PTB 08 ATEX 1064  
IBExU00ATEX1081  
IECEx PTB 09.0009X  
optional:  
NEPSI GYJ05305  
RTN PPC 00-21001  
GOST-R POCC SI.ME92.B01671  
PPC No. 3377.06.30-31.62.4

#### Ambient temperature

-20 °C up to +40 °C at T6  
-20 °C up to +55 °C at T5  
optional:  
-55 °C up to +40 °C at T6  
-55 °C up to +55 °C at T5

### ➤ Technical data

#### Protection class

IP 65

#### Material

glass-fibre reinforced polyester,  
EN 60079-0, halogen-free  
colour: RAL 9005, black

#### Electrical resistance

surface resistance < 10<sup>9</sup> Ω



**Selection chart**

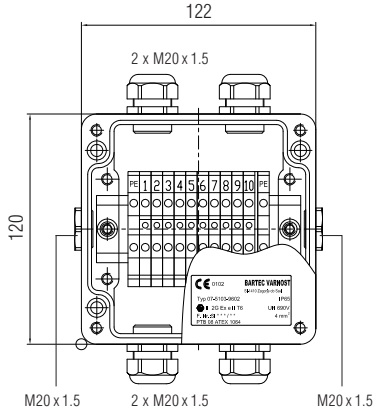
Dimensions	Cable glands				Terminals	➔ Order no.
	side A	side B	side C	side D		
110 x 75 mm	2 x M20 x 1.5 1 x M20 x 1.5*	2 x M20 x 1.5	-	-	10 x AKZ4 + 2 x PE	<b>07-5103-9600</b>
110 x 75 mm	1 x M20 x 1.5 1 x M25 x 1.5	2 x M20 x 1.5 1 x M20*	-	-	10 x AKZ4 + 2 x PE	<b>07-5103-9601</b>
122 x 120 mm	2 x M20 x 1.5	2 x M20 x 1.5	1 x M20 x 1.5*	1 x M20 x 1.5*	10 x WDU4 + 2 x PE	<b>07-5103-9602</b>
160 x 160 mm	2 x M25 x 1.5	2 x M25 x 1.5	1 x M20 x 1.5*	1 x M20 x 1.5*	12 x WDU4 + 4 x PE	<b>07-5103-9603</b>
220 x 120 mm	4 x M16 x 1.5 4 x M20 x 1.5*	4 x M16 x 1.5 4 x M20 x 1.5 1 x M25 x 1.5*	-	-	25 x WDU4 + 6 x PE	<b>07-5103-9604</b>
260 x 160 mm	3 x M25 x 1.5 3 x M20 x 1.5	2 x M32 x 1.5 3 x M25 x 1.5 1 x M20 x 1.5	-	-	14 x WDU6 + 4 x PE 4 x WDU2.5 + 2 x PE	<b>07-5103-9605</b>
122 x 120 mm	-	2 x M20 x 1.5	1 x M20 x 1.5	1 x M20 x 1.5	8 x WDU4 + 2 x PE	<b>07-5103-9606</b>
122 x 120 mm	-	2 x M20 x 1.5	1 x M20 x 1.5*	1 x M20 x 1.5*	8 x WDU4 + 2 x PE	<b>07-5103-9607</b>
122 x 120 mm	-	2 x M25 x 1.5	1 x M25 x 1.5	1 x M25 x 1.5	6 x WDU6 + 2 x PE	<b>07-5103-9608</b>
122 x 120 mm	-	2 x M25 x 1.5	1 x M25 x 1.5*	1 x M25 x 1.5*	6 x WDU6 + 2 x PE	<b>07-5103-9609</b>

\* Sealing plug

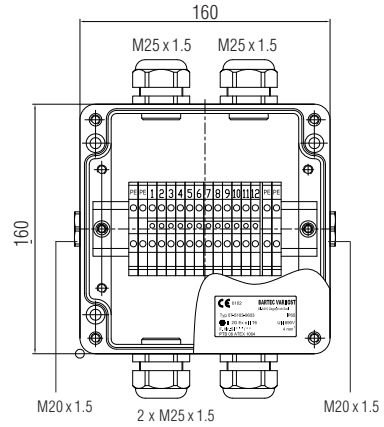
<p>Dimensions 110 x 75 x 55 mm Terminals 10 x AKZ4 + 2AKE4</p> <p style="text-align: right;"><b>Type 07-5103-9600</b></p>	<p>Dimensions 110 x 75 x 55 mm Terminals 10 x AKZ4 + 2AKE4</p> <p style="text-align: right;"><b>Type 07-5103-9601</b></p>
---	---



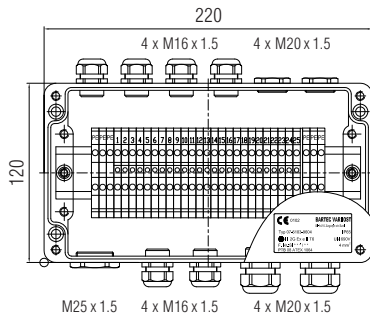
Dimensions 122 x 120 x 90 mm **Type 07-5103-9602**  
Terminals 10 x WDU4 + 2 x WPE4



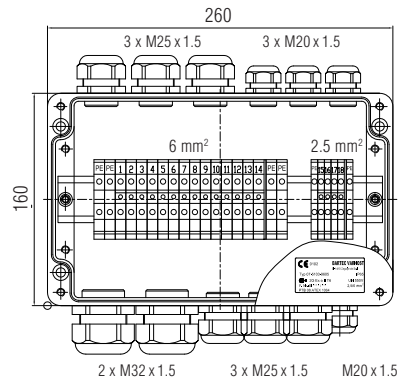
Dimensions 160 x 160 x 90 mm **Type 07-5103-9603**  
Terminals 12 x WDU4 + 4 x WPE4



Dimensions 220 x 120 x 90 mm **Type 07-5103-9604**  
Terminals 25 x WDU4 + 6 x WPE4

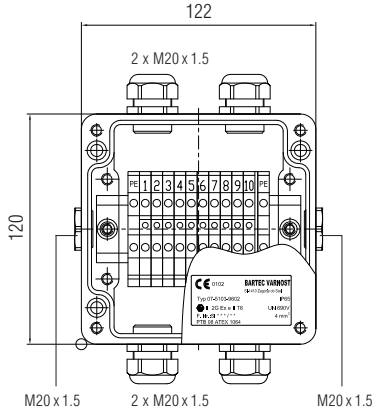


Dimensions 260 x 160 x 90 mm **Type 07-5103-9605**  
Terminals 14 x WDU6 + 4 x WPE6  
4 x WDU2,5 + 2 x WPE2,5

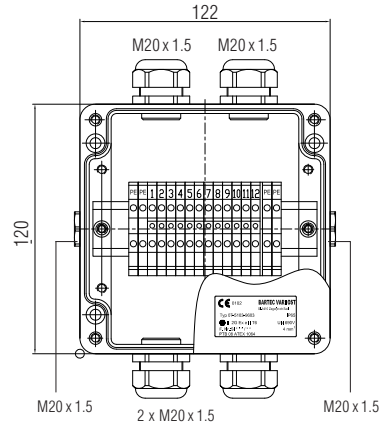




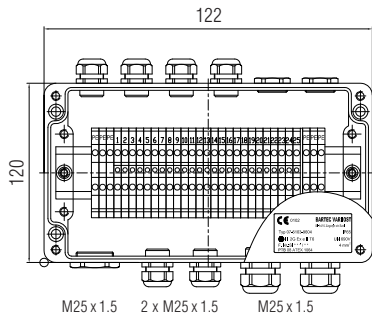
Dimensions 122 x 120 x 90 mm **Type 07-5103-9606**  
Terminals 8 x WDU4 + 2 x WPE4



Dimensions 122 x 120 x 90 mm **Type 07-5103-9607**  
Terminals 8 x WDU4 + 2 x WPE4



Dimensions 122 x 120 x 90 mm **Type 07-5103-9608**  
Terminals 6 x WDU6 + 2 x WPE4



Dimensions 122 x 120 x 90 mm **Type 07-5103-9609**  
Terminals 6 x WDU6 + 2 x WPE4

