

PATHFINDER VL114

3 Hour
Operation



11W Emergency version



Hanging exit sign



Adhesive exit sign

FEATURES AND BENEFITS

Lightweight yet robust construction • Mount in any orientation • Ideal for over-door lighting • Supplied complete with lamps

CERTIFICATION & APPROVALS

IECEX Certificate IECEX SIR 05.0004
ATEX Certificate SIRA03ATEX3556 T100°C

VL114 Standard Luminaire
Ex II 2 GD Ex em II

Ambient Temperature Range
2x18W T4 -45°C to +30°C*
T3 -45°C to +40°C*
T3 -45°C to +40°C*

VL114 Emergency 1 x 11W Luminaire
Ex II 2 GD Ex em II

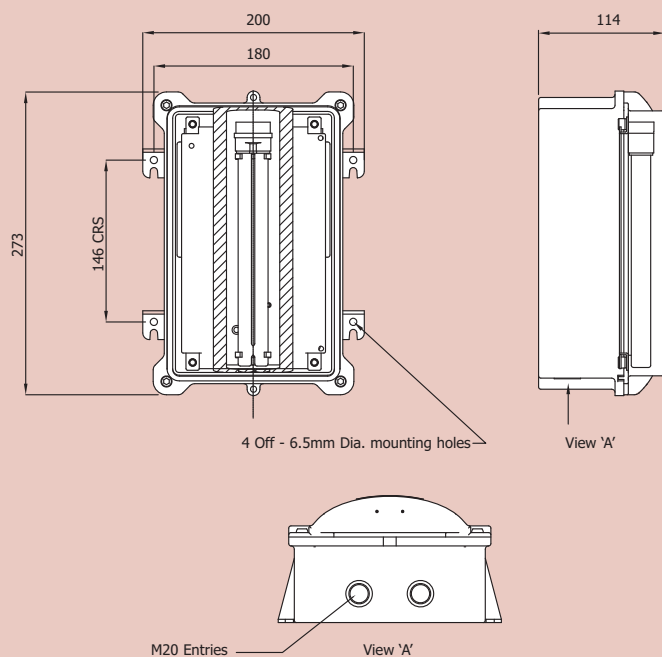
Ambient Temperature Range
Non-Maintained T4 -15°C to +60°C
T5 -15°C to +40°C
T6 -15°C to +25°C
Maintained T3 -15°C to +40°C

Ingress protection to IP66, IP67
IP68 (on application)

GOST-R Approved
GB (China) Approved

*For operations below -20°C
please contact technical sales

DIMENSIONS



Dimensions in millimeters

TECHNICAL SPECIFICATION

LAMP TYPES

11W and 18W compact fluorescent lamps are factory fitted.

POWER SUPPLY

VL114S 110V-254V, 59/60Hz (2x18W)
VL114E 220V-254V, 50/60Hz only (1x11W)

POWER FACTOR

Better than 0.95.

EMERGENCY OPERATION

11W non-maintained emergency light output is 47%.
Duration is typically 3 hours.

BATTERY

5 cell - 4Ah, 6V internal Ni-Cad.

TERMINALS

3 core up to 4 mm² conductors with looping.

Terminals for live constant, live switched, neutral & earth are provided.

CABLE ENTRIES

Two x 20mm clearance holes supplied with 1 x transit plug and 1 x Ex blanking plug.

Cable entry devices (ie. glands) must maintain the IP rating for the luminaire.

TEMPERATURE

Gas environments are dependant on gas and ambient temperature
Non-Maintained : T4, T5 & T6. Maintained : T3
Dust environments : 100°C

AMBIENT TEMPERATURE

VL114E -15°C to +60°C
VL114S -45°C to +60°C

MATERIALS

Enclosure Polycarbonate moulding.
Gasket Silicone.
External Fasteners Stainless steel.

WEIGHT

VL114E 2.5kg VL114S 1.8kg

SUSPENSION

Standard mounting is direct to the main housing.

ORDERING REFERENCE

Std. Cat Ref.	Wattage	Lamp Type
PATE/218/CF	2x18W	Compact Fluorescent
PATE/111/CF/EM*	1x11W	Compact Fluorescent

*Non maintained as standard

All Pathfinder models are supplied complete with lamps.

OPTIONS - SUFFIX TO CATALOGUE REF.

/120	Specific voltage 110/130V (for VL114E non maintained only)
/25	25mm Entries
/M20	M20 Threaded entry pad c/w earth lead to T/Block
/M25	M25 Threaded entry pad c/w earth lead to T/Block
/IEC	Supplied with IECEx certification label

ACCESSORIES

Lamp assembly (11watt)
SPATE-00004

Lamp assembly (18watt)
SPATE-00001

Exit sign, rigid plastic, chain hanging
(no direction)
SPATE-00005

Exit sign, rigid plastic, chain hanging (up arrow)
SPATE-00006

Exit sign, rigid plastic, chain hanging
(down arrow)
SPATE-00007

Exit sign, rigid plastic, chain hanging
(right arrow)
SPATE-00008

Exit sign, rigid plastic, chain hanging
(left arrow)
SPATE-00009

Exit sign, rigid plastic, chain hanging (double
sided arrow left & arrow right)
SPATE-00011

Exit sign, adhesive (up, down, left and right)
SPATE-00012