



## Control stations in flameproof enclosures

### Description

The control stations in flameproof enclosure of the GUB series in compact design allow standard electronics and control components to be installed. The enclosure is light; numerous connection systems can be used; flanging is possible; can be equipped with electrical or mechanical bushings at the edges.

The GUB control stations can be applied in hazardous areas, Zone 1 and Zone 2 as well as in areas endangered by flammable dusts, Zone 21 and Zone 22.

### Connection variants

Flameproof control units can be connected either by means of direct cable insertion through Ex d cable entries or indirectly by means of an Ex e connection compartment. The electrical connection between the Ex d and Ex e compartment is established by means of Ex d line bushings. Control and display units can be fitted into the connection compartment.

### Explosion protection

Depending on the fitted components; comply with specifications on the type label.

#### Ex protection type

- Ex II 2(1)G Ex db [ia Ga] IIC T6/T5 Gb
- Ex II 2(1)D Ex tb [ia Da] IIIC  
T85 °C resp. T100 °C Db

#### Certification

DEKRA 13 ATEX 0209

**IECEx** Ex db [ia Ga] IIC T6/T5 Gb  
Ex tb [ia Da] IIIC

#### Certification

IECEx DEK 13.0075

Other approvals and certificates, see [www.bartec-group.com](http://www.bartec-group.com)

### Ambient temperature

Depending on the fitted components. Comply with specifications on the type label

Operation -20 °C to +55 °C

### Approved for the zones

1, 2 and 21, 22

### Technical data

#### Power dissipation

max. 3 to 197 W (depending on the version and type of protection)

#### Protection class

max. IP 66 (IEC 60529)

#### Rated cross-section of conductor

max. 400 mm<sup>2</sup>

#### Weight

approx. 1.9 kg to approx. 55 kg (depending on the version)

#### Enclosure material

copper-free aluminium pressure casting

#### Rated voltage

max. 1000 V

#### Rated current

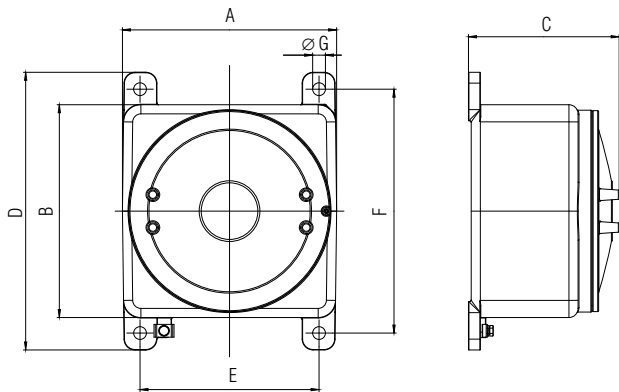
max. 1000 A

### Enclosure

| Type           | Dimensions (mm)/tolerance ±2 % of the nominal size |     |     |     |     |     |     |        | Weight (kg) |
|----------------|--|-----|-----|-----|-----|-----|-----|--------|-------------|
|                | A  | B   | C   | Cg  | D   | E   | F   | ØG     |             |
| <b>07-4120</b> | 120  | 120 | 116 | -   | 165 | 100 | 145 | 2 x 9  | 1.9         |
| <b>07-4140</b> | 150  | 150 | 130 | 125 | 198 | 126 | 174 | 2 x 10 | 2.5         |
| <b>07-4150</b> | 174  | 174 | 140 | 136 | 218 | 150 | 195 | 2 x 10 | 3.9         |
| <b>07-4160</b> | 230  | 230 | 165 | 154 | 302 | 196 | 267 | 4 x 14 | 6.8         |
| <b>07-4170</b> | 276  | 276 | 217 | 200 | 356 | 236 | 316 | 4 x 14 | 11.9        |
| <b>07-4180</b> | 430  | 430 | 290 | 275 | 520 | 390 | 480 | 4 x 14 | 29.4        |

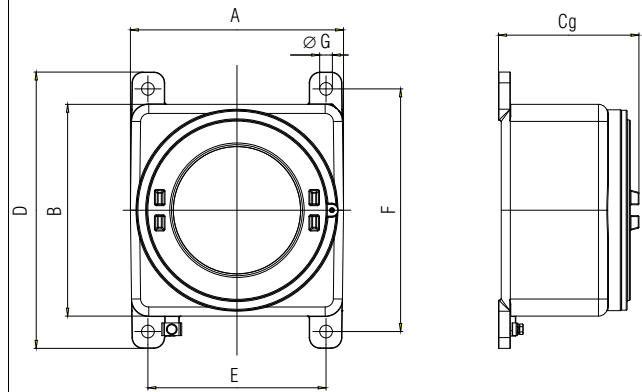


**Dimensions of enclosures without inspection window**



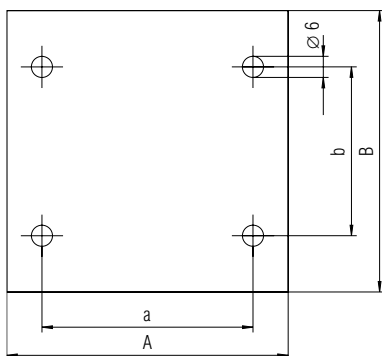
2 Fastening points for types 07-4120, 07-4140, 07-4150  
4 Fastening points for types 07-4160, 07-4170, 07-4180

**Dimensions of enclosures with inspection window**



2 Fastening points for types 07-4140, 07-4150  
4 Fastening points for types 07-4160, 07-4170, 07-4180

**Dimensions Mounting plate**



Cut-out with Type 07-4120, 07-4140

Cut-out with Type 07-4120

**Mounting plate**

| Type    | Am  | Bm  | am  | bm  |
|---------|-----|-----|-----|-----|
| 07-4120 | 80  | 80  | 48  | 60  |
| 07-4140 | 100 | 100 | 60  | 80  |
| 07-4150 | 115 | 115 | 90  | 90  |
| 07-4160 | 150 | 150 | 130 | 130 |
| 07-4170 | 200 | 200 | 158 | 158 |
| 07-4180 | 310 | 310 | 230 | 230 |

**Selection chart**

| Type    | Enclosure size (mm) | Code no. | Cover variants                       | Code no. | Connection type | Code no. |
|---------|---------------------|----------|--------------------------------------|----------|-----------------|----------|
| 07-4120 | 120 x 120 x 116     | 2        | closed                               | 1        | Ex de           | 1        |
| 07-4140 | 150 x 150 x 130     | 4        |                                      |          |                 |          |
| 07-4150 | 174 x 174 x 140     | 5        |                                      |          |                 |          |
| 07-4160 | 230 x 230 x 165     | 6        | with window<br>(except type 07-4120) | 7        | Ex d            | 5        |
| 07-4170 | 276 x 276 x 217     | 7        |                                      |          |                 |          |
| 07-4180 | 430 x 430 x 290     | 8        |                                      |          |                 |          |

➔ **Complete order no.** 07-41  0-1  6

Please enter code number. Technical date subject to change without notice.