



Contactor Ex d

Features

- 4 galvanically isolated switching contacts
- 2 redundant switching contacts
- Compact construction
- Switching capacity up to AC 690 V / 18 kW
- Disconnection of power from supply lines

Description

The Ex d contactor is used for the safe switching of currents greater than 5 A or for 3+N mains power supplies in hazardous areas.

The contactor is activated by a pressurised system (e. g. SILAS control, APEX control).

For this purpose it has four galvanically isolated switching contacts in a redundant version in the form of two switching contactors isolated from each other and connected in series. The four isolated switching contacts allow the connection of three-phase consumers also.

Explosion protection

Ex protection type
ATEX II 2G Ex de IIC T6

Certification
PTB 03 ATEX 1138
PTB 03 ATEX 1024

See www.bartec.-group.com for more approvals and certification.

Ambient temperature
-20 °C to +40 °C

Guidelines
Directive 2004/108/EC
Directive 94/9/EC

Technical data

Protection class
IP 65

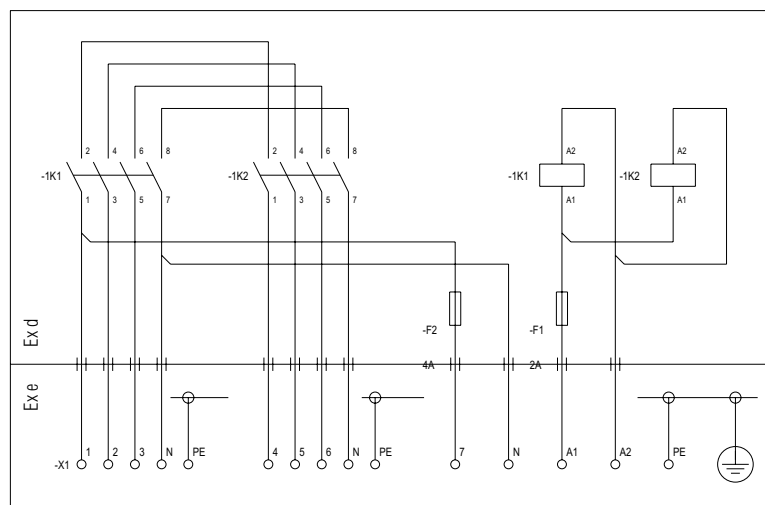
Rated operating voltage U_n
690 V

Rated frequency range
50 to 60 Hz

Ambient temperature (operation)
-20 °C to + 40 °C

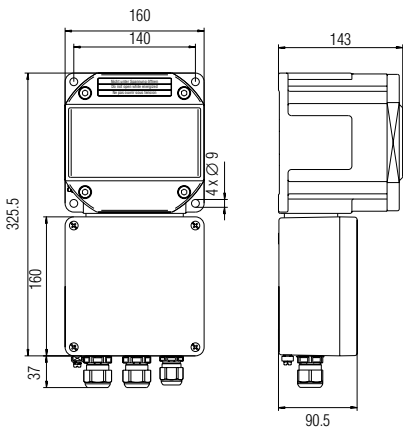
Coil voltage
AC 100 to 250 V/50/60 Hz or
DC 100 to 250 V

Wiring diagram

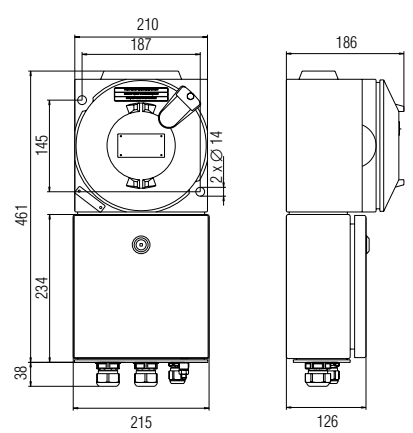




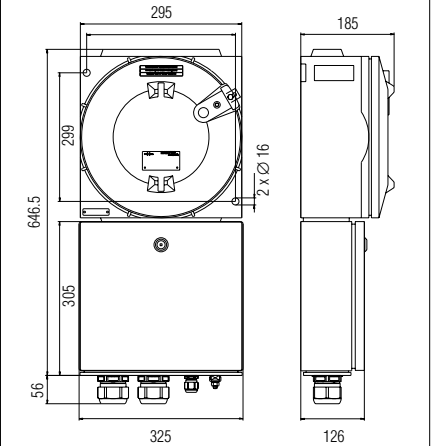
Dimensions Type 4 kW and 7.5 kW



Dimensions Type 11 kW



Dimensions Type 18 kW



Selection chart

Variants	4 kW	7.5 kW	11 kW	18 kW
Max. Conductor cross-section/Connecting terminals	4 mm ²	4 mm ²	16 mm ²	35 mm ²
Cable glands	2 x M25, 2 x M20	2 x M25, 1 x M20	2 x M32, 1 x M20	2 x M50, 1 x M20
Rated operating current I _b /AC-1 U _e max. 690 V	20 A	20 A	30 A	50 A
Rated operating current I _b /AC-3 U _e 380 to 400 V	9 A	18 A	26 A	38 A
Rated operating power AC-3 220-230-240 V 380 to 400 V	2.2 kW 4 kW	4 kW 7.5 kW	6.5 kW 11 kW	11 kW 18 kW
Short-circuit protection in accordance with type 2 for contacts without thermal overload relay – without motor protection U _e < 500 V AC – gG fuse	20 A	20 A	25 A	50 A
Material Ex d enclosure Material Ex e junction box	Aluminium painted, similar to RAL 7016 Aluminium painted, similar to RAL 7001		Aluminium painted, similar to RAL 7032 Sheet steel painted, similar to RAL 7032	
Fuse contactor (F1) Fuse pressurisation (F2)	2.0 AT 4.0 AT			
Order no.	07-4230-1101/0292	07-4230-1101/0293	07-4310-0561/0142	07-4320-0561/0248