



ComEx Switch module
with connection cable for installation on panel (front installation)

BARTEC



*ComEx Switch module
with connection cable
for installation on panel*

Low stock!

Replacement
ComEx^{flex} Switch module
Catalog page 46

Features

- Self-cleaning contacts
- Positive break contacts
- One-hand fastening

Description

As completely certified equipment, BARTEC modules with connection cable can be directly installed in industrial control cabinets in hazardous areas. A high IP degree of protection can be maintained due to easy installation of the actuating elements in the control cabinet. The respective modules can be single-handedly installed to the actuating elements.

Explosion protection

Ex protection type
ATEX II 2G Ex d IIC T6

Certification
PTB 00 ATEX 1092 X

Further approvals
UL, GOST, INMETRO, DNV

Other approvals and certificates,
see www.bartec-group.com

Ambient temperature
-40 °C to +60 °C (-55 °C on request)

Technical data

Protection class

Determined by actuating element and enclosure, up to IP 67, in conjunction with actuating element.

Rated insulation voltage

$U_i = 690$ V (on request)
 $U_i = 400$ V (Standard version)

Rated voltage			
400 V	400 V	110 V	24 V
Utilization category			
AC-12	AC-15	DC-13	DC-13
Rated operating currents			
16 A	10 A	0,5 A	1 A

Conventional thermal current I_{thc}
16 A/+40 °C, 11 A/+60 °C

Contact options

contacts with positive break operation (self cleaning)
1 NC and 1 NO or
2 NC or 2 NO or
1 NC or 1 NO

Contact material

AgSnO₂

Enclosure material

Thermoplastic

Connection

flexible cord 4 x 1.5 mm² (∅ 9.1 mm)
resp. 2 x 1.5 mm², (∅ 7.7 mm)

Mechanical life

10⁶ switching cycles

Storage temperature

-55 °C to +70 °C

Weight

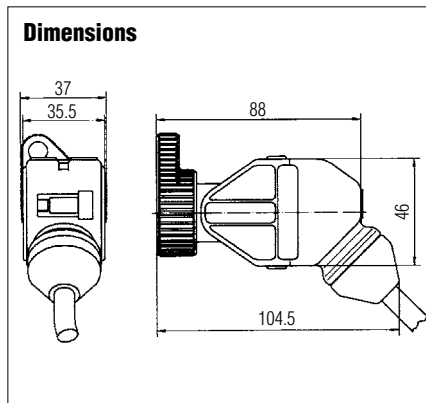
approx. 160 g without cable

Cable length

3 m, indicate greater lengths in plain text

Shock resistance

DIN EN 60068-2-27, 30 g 18 ms



Selection chart			
Type of contact	Code no.	Actuating element	Code no.
2 NC 	1	Pushbutton	0700
		Double push button actuator	7400
		Emergency stop NOT-AUS	0800
		Selector switch 0 + I latching, 2 positions	0900
2 NO 	2	Selector switch I + II latching, 3 positions	1000
		Selector switch I + II momentary-contact, 3 positions	1001
		Selector switch I latching, II momentary-contact, 3 positions	1002
		Selector switch I momentary-contact, II latching, 3 positions	1003
1 NC + 1 NO 	4	Selector switch with protective collar 0 + I	7001
		Selector switch with protective collar I + 0	7002
		Selector switch with protective collar I + 0 + II	7203
		Mushroom pushbutton, black	1800
1 NC 	7	Lockable in both positions, DOM lock	1200
		Lockable in the depressed position, DOM lock	1201
		Lockable in the initial position, DOM lock	1202
		Locking-type mushroom pushbutton	1203
1 NO 	8	Lockable in both positions, RONIS lock	6100
		Key switch, 2 switching positions latching, key retractable 0 + I	7700
		Key switch, 2 switching positions momentary contact, not retractable 0 + I	7701
		Key switch, 3 switching positions latching, key retractable I + 0 + II	7900

➔ **Complete order no.**

Switch module without actuating element **07-3323-3** **03**^{*)}

Actuating element Standard **05-0003-00**

 Increased oil resistance **05-0003-00** **BN**

Please enter code number. Technical data subject to change without notice.

^{*)} Standard length 3 m, indicate greater lengths in plain text.