



## POLARIS Panel PC 12.1"

### Features

- LED technology
- Higher screen resolution
- Touchscreen
- Processor 1.6 GHz
- Remote desktop solution
- Presentation of HTML pages
- Direct connection in hazardous areas
- Option of Windows 7®
- Integrated keyboard customisation

### Description

The POLARIS Panel PC 12.1" is an innovative further development of the POLARIS PROFESSIONAL Serie.

High-resolution displays with LED technology and touchscreen for intuitive as well as comfortable operation are available now in the standard variant.

State-of-the-art LED display technology ensures the optimum contrast even with a large viewing angle.

This Panel PC has been equipped as standard with the latest generation processor, the Intel® Atom™ with 1.6 GHz.

Windows® XP Professional or Windows 7® can be used as an operating system. Thanks to the integrated keyboard customisation for Windows®, Siemens WinCC flexible®, RS View® or BMS-Graf-pro, the POLARIS Touch Panel can be used for all visualisation tasks. They can be connected to the control or the process control system through Ethernet, PROFIBUS-DP or various serial COM interfaces.

Of course, here too the user can work with the latest BMS-Graf-Pro Version 7, allowing for example the transfer of projects through Ethernet, the use of graphics lists and the integrated user administration.

Wired electrical connections are facilitated by integrated terminal compartments.

The front-panel fitting design ensures easy installation. On request, the devices are also available as ready-made system solutions in stainless steel enclosures for wall, floor or ceiling mounting.

They also feature an intrinsically safe USB interface for a USB Ex i flash drive. Intrinsically safe input devices can be connected also.

### Explosion protection

#### Ex protection type Zone 1 and Zone 21

**ATEX** Ex II 2G Ex db eb qb [ib op pr] IIC T4  
Ex II 2D Ex tb IIIC T120 °C

#### Certification

IBEXU 05 ATEX 1117 X

**IECEX** Ex db eb qb [ib op pr] IIC T4  
Ex tb IIIC T120 °C

#### Certification

IECEX IBE 11.0007 X

#### Further approvals

INMETRO, GOST-R

#### Protection class

IP 65 (front)  
IP 54 (back)

#### Variant Zone 2

see BARTEC Internet: [www.bartec-group.com](http://www.bartec-group.com)

### Technical data

#### Construction

Front-panel fitting

#### Display

- 12.1" TFT graphic display
- 262,144 colours
- Resolution XGA 1024 x 768 pixels
- Brightness 500 cd/m<sup>2</sup>
- Visible surface approx. 246 x 184 mm
- Contrast 700:1
- Touchscreen (resistive)

#### Background lighting

- LED technology
- Service life approx. 50,000 hours (at +25 °C)

#### Computer capacity

Intel® Atom™ N270, 1.6 GHz,  
2 GB RAM/100 GB HDD

#### Operating system

Windows® XP Professional or  
Windows 7® Ultimate or  
Windows 7® Embedded MUI

#### Keyboard (short-stroke keys)

- Alphanumeric key block
- 4 cursor keys
- 12 cursor keys
- 16 function keys able to be labelled with LEDs

#### Interfaces (basic version)

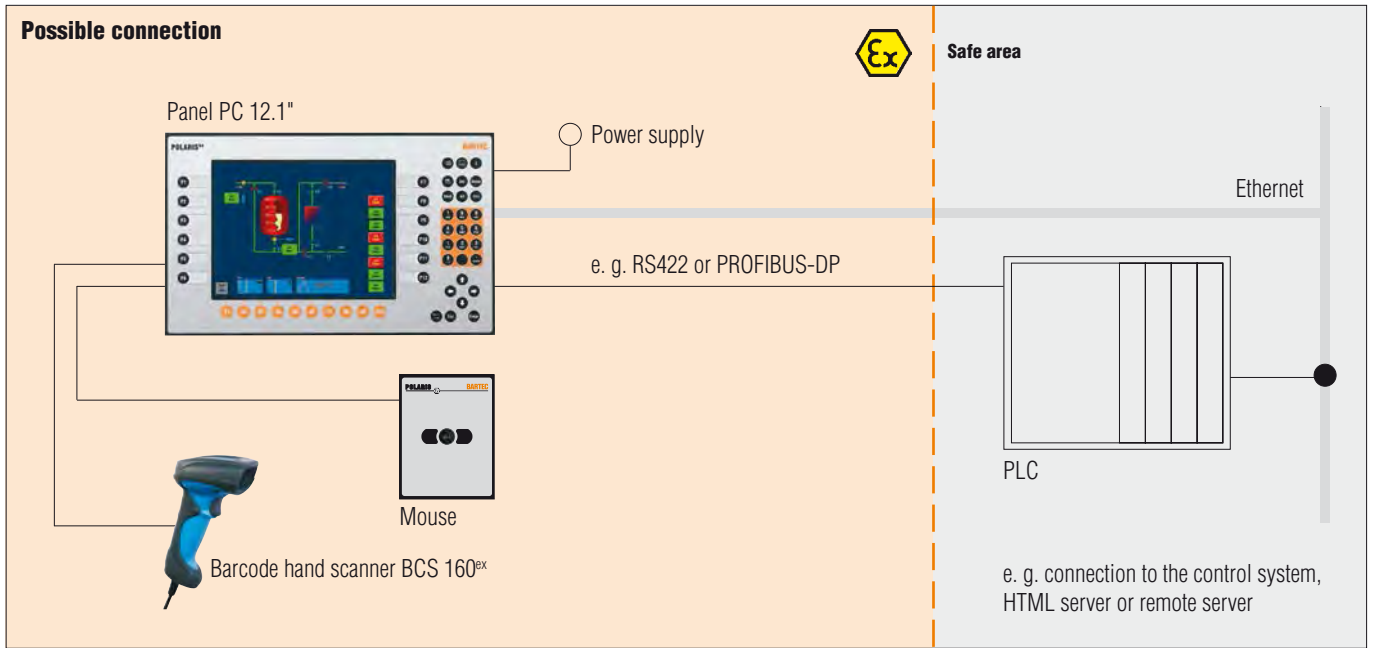
- 1 x Ex e Ethernet 100/10BaseT (option of optical fibres)
- 1 x Ex e RS422
- 1 x Ex i USB for Ex i memory stick
- 1 x Ex i PS/2 for intrinsically safe mouse

#### Optional interfaces

1 x Ex i Supply module for hand-held scanners

#### Dimensions (width x height x depth)

440 mm x 275 mm x approx. 130 mm



**Wall cut-out**

425 mm x 255 mm + 0.5 mm

**Weight**

approx. 18 kg

**Supply voltage**

DC 24 V ± 10 %

**Max. power consumption**

$P_{max.} < 35 \text{ W}$

**Permissible ambient temperatures**

Storage -20 °C to +50 °C  
 Operation 0 °C to +50 °C

**Variant**

Operation -20 °C to +50 °C  
 on request (without external heating)

**Relative air humidity**

5 % to 95 % non-condensing

**Vibration**

0.7 g/1 mm; 5 Hz to 500 Hz pulse in all 3 axes

**Shock**

15 g/11 ms pulse in all 3 axes

**Material**

Front Polyester foil on anodised aluminium plate (conditionally UV-resistant)  
 Back bichromated sheet steel

**Selection chart**

Version	Interfaces	Code no.
POLARIS PROFESSIONAL Panel PC 12.1"	RS422	<b>00</b>
	BARTEC PROFIBUS-DP	<b>02</b>
	RS422, supply module for hand-held scanners	<b>04</b>
	BARTEC PROFIBUS-DP, supply module for hand-held scanners	<b>06</b>
	Siemens PROFIBUS-DP/MPI	<b>08</b>
	RS232	<b>09</b>
	TTY	<b>11</b>
	RS232, supply module for hand-held scanners	<b>13</b>
	TTY, supply module for hand-held scanners	<b>15</b>
	BARTEC PROFIBUS-DP, Ex d USB	<b>33</b>
	USB Ex e/RS422	<b>37</b>
	Further Interface combinations on request	<b>XX</b>

➔ **Complete order no. 17-71V1-80**   /  **000**

Please insert correct code.  
 Technical data subject to change without notice.  
 You will find the accessories with order details on the accessories pages.

Operating system	Code no.
Windows® XP Professional	<b>P</b>
Windows 7® Ultimate	<b>U</b>
Windows 7® Embedded MUI	<b>F</b>