



## ComEx control stations

### Features

- 3 standard enclosures
- Easy to install
- Extremely flexible
- Customer-tailored solutions

### Description

ComEx is a flexible system offering standard as well as customer-specific local control and indicating units.

You have the choice between three standard enclosures which can accommodate up to three different control and indicating devices. Combinations of up to three ComEx enclosures are possible.

Either stuffing box glands in M20 x 1.5 and M25 x 1.5 made of plastic or cable glands made of metal are available for the electrical connection.

The plastic glands require no lock nuts.

Metal glands are screwed into a metal earth plate sheet inside of the enclosure. Maximum amount of cable glands: two off M20.

To ensure easier operation on site, each enclosure can be equipped with an individual info-label.

For offshore applications special oil-resistant attachments are available.

### Explosion protection

#### Ex protection type

**ATEX** II 2G Ex ed IIC T6  
 II 2D Ex tD A21 IP 65, IP 66, IP 67  
 T80 °C

#### Certification

PTB 00 ATEX 1068

#### IECEX

Ex ed IIC T6  
 Ex tD A21 IP 65, IP 66, IP 67 T80 °C

#### Certification

IECEX PTB 08.0022

#### Further approvals

UL, CSA, GOST, KTL, INMETRO, DNV

Other approvals and certificates, see [www.bartec-group.com](http://www.bartec-group.com)

#### Permissible ambient temperature

-55 °C to +60 °C  
 (-20 °C to +60 °C for Zone 21 and 22)

#### Product printing

Standard: ATEX and IECEx marking.  
 Other markings on request.  
 Please specify in plain text.

### Technical data

#### Connection

Terminals 2.5 mm<sup>2</sup>

#### PE conductor terminals

4 x 2.5 mm<sup>2</sup>

#### Rated insulation voltage

max. AC 690 V

#### Nominal current

max. 16 A

#### Cable entry

M20 x 1.5 for cable Ø 7 to 13 mm  
 M25 x 1.5 for cable Ø 7 to 12 mm  
 M25 x 1.5 for cable Ø 10 to 17 mm

#### Enclosure

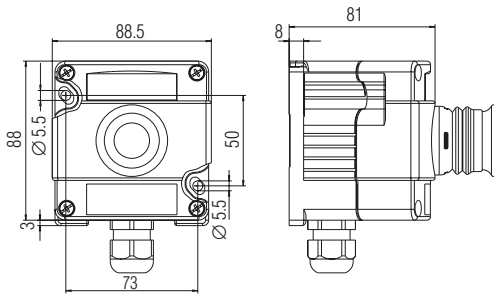
Thermoplastic

#### Protection class

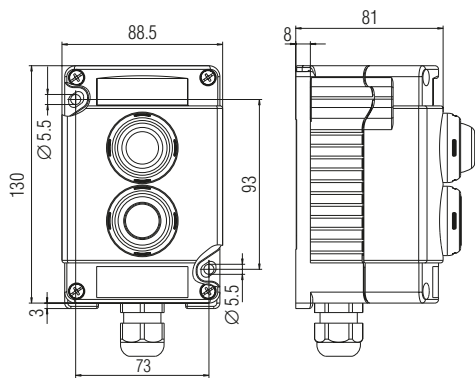
up to IP 66/IP 67



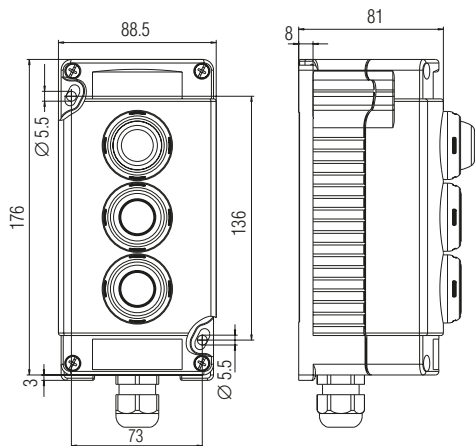
Control unit, single Type 07-3511-....



Control station, double Type 07-3512-....



Control station, triple Type 07-3513-....





**Selection chart Actuator elements**






Illustration	Description	Code no.	Illustration	Description	Code no.	
	<b>Pushbutton</b> with rubber membrane and with five loose labels: red, green, yellow, white, black	<b>P7</b>		<b>Lock (DOM)</b> lockable in both positions key retractable in both positions lock 4 A 185	<b>K0</b>	
	<b>Double pushbutton actuator</b> with rubber membrane, 5 loose labels in red, green, yellow, white, black	<b>P2</b>		lockable in its depressed position, key retractable in its depressed position lock 4 A 185	<b>K1</b>	
				lockable in its initial position, key retractable in its initial position lock 4 A 185 (tip lock)	<b>K2</b>	
	<b>Emergency/Stop</b> marked 'NOT/AUS EMERGENCY/STOP'	<b>N8</b>		<b>Lock (RONIS)</b> lockable in both positions key retractable in both positions lock 445	<b>K4</b>	
				<b>Lock (RONIS)</b> Lock 455  2 switching positions 0-I latching, key retractable	<b>E0</b>	
	<b>Locking mushroom push button</b> pushed in without a key unlocked with a key DOM lock 4 A 185	<b>K3</b>		2 switching positions 0-I momentary contact, position I key not retractable	<b>E1</b>	
				3 switching positions I-0-II latching on both sides, key retractable	<b>E2</b>	
	<b>Mushroom pushbutton, black</b>	<b>P8</b>		<b>Lamp</b> red green yellow white blue	<b>LR</b> <b>LG</b> <b>LY</b> <b>LW</b> <b>LB</b>	
	<b>Position selector switch</b> 2 positions, 0 + I latching	<b>S9</b>		<b>Illuminated button actuator</b> red green yellow white blue	<b>TR</b> <b>TG</b> <b>TY</b> <b>TW</b> <b>TB</b>	
	<b>Position selector switch</b> 3 positions I-0-II I + II latching I + II momentary-contact I latching, II momentary-contact I momentary-contact, II latching	<b>S0</b>		<b>Blanking plug</b> black, to cover unused holes in the front panel	<b>B1</b>	
		<b>S1</b>				
		<b>S2</b>				
		<b>S3</b>		<b>Potentiometer actuating element</b> black, scale 1 - 10	<b>D0</b>	

03-0330-0190/A-10/2014-BCS-200864/2

1
2
3
4
5
6
7



**Selection chart Modules**

Illustration	Description	Code no.
	<b>Switch module</b> 1 NC/1 NO 2 NC 2 NO	<b>4</b> <b>1</b> <b>2</b>
	<b>Indicator light</b> red green yellow white blue	<b>R</b> <b>G</b> <b>Y</b> <b>W</b> <b>B</b>
	<b>Illuminated button</b> red 1 NO green 1 NO yellow 1 NO white 1 NO blue 1 NO red 1 NC green 1 NC yellow 1 NC white 1 NC blue 1 NC	<b>RB</b> <b>GB</b> <b>YB</b> <b>WB</b> <b>BB</b> <b>RA</b> <b>GA</b> <b>YA</b> <b>WA</b> <b>BA</b>
	<b>Potentiometer</b> <b>Resistance values</b> 1 kΩ 2.2 kΩ 4.7 kΩ 10 kΩ	<b>4</b> <b>5</b> <b>6</b> <b>7</b>
	<b>Terminal block</b> with 6 modular terminals 2.5 mm <sup>2</sup> , Ex e II	<b>6</b>

➔ **Complete order no.**

Actuator element resp. Lamp module operator



Switch module resp. Indicator light or Terminal block



Measuring instrument



Please insert code number.

Control unit, single **07-3511-10**



Control unit, double **07-3512-10**



Control unit, double **07-3512-10**



Control unit, triple **07-3513-10**



Control unit, triple **07-3513-10**



Technical data subject to change without notice.