



LED lamp for workbenches.

Aluminum and ABS dissipator, gooseneck arm with PVC cover, ABS base with fastening holes, on/off switch and built-in LED driver (in the lamp base).

230V 50/60Hz Power supply.

**Exempt from photobiological risk.**

**Electrical features**

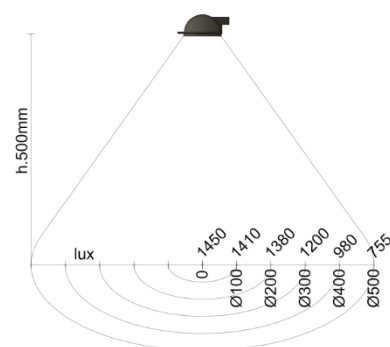
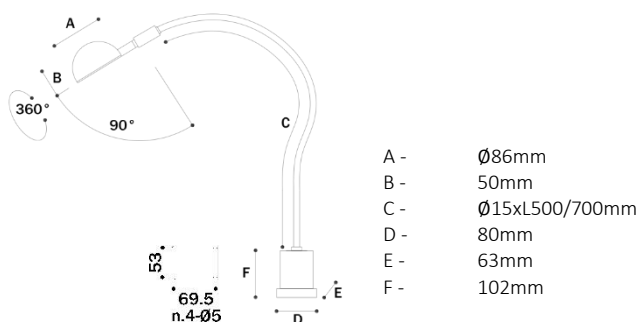
Power supply	110-230 Vac 50-60Hz
LED operating voltage	9 Vdc
LED operating current	500 mA dc
Power watt	4,5 W (@500mA)
IEC class	II
LED driver	in the base (cod. A0141005060709B)
Power cable	PVC L1,5m with euro plug

**Mechanical and optical Features**

LED type	LED Multichip
N° of LED	1
LED lifetime	50.000 h
Brightness	660 lm - 120°
Color rendering index	75
Light color	5000 K
Fastenig	screws / CLAMP03 - B01 (to be ordered separately)
Switch	on-off on the base
Index of protection	IP30
Color	Black - RAL7035
Weight	1,20 Kg ~

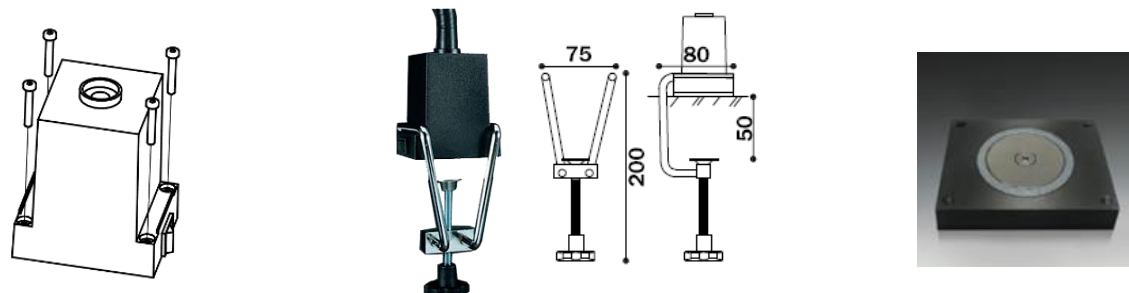
**DIMENSIONS (all values in mm)**

**LIGHT FLOW FROM WORKING SURFACE**





**FASTENING**



Fastening with screw (supplied with the lamp)

cod. **CLAMP.03**  
metal clamp

cod. **B01**  
Magnetic base dim. 80x63x15mm

**ELECTRICAL CONNECTION**



**ORDER CODES**

CODE	DESCRIPTION
<b>Lamp</b>	
P996.70.B	LED lamp 660lm 5000K 230V RAL7035
P996.70.N	LED lamp 660lm 5000K 230V BLACK
<b>Fastening accessories</b>	
CLAMP.03	Metal clamp for lamp fastening
B01	Magnetic base for lamp fastening