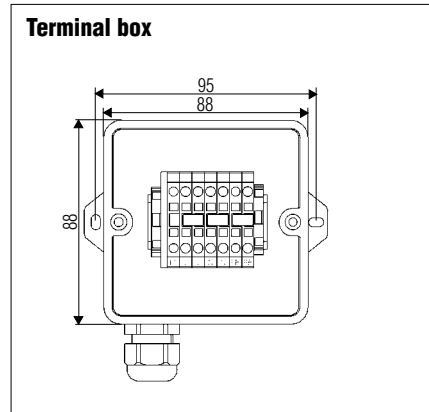


Terminal box



Description

The terminal box is suitable for indoor as well as for protected outdoor installations.



➔ Technical data

Dimensions

88 mm x 88 mm x 53 mm
(without external mounting parts)

Protection class

IP 65/EN 60529

Ambient temperature range

-25 °C up to +40 °C

Enclosure material

thermoplastic

Cable gland

1 x M20

Terminal blocks

7 x AKZ 2.5 mm²

Rated insulation voltage

AC 250 V

➔ **Order no.**
05-0041-0195

Mini-thermostat



Description

This mini-thermostat is used both for monitoring the temperature outside the heating systems and also for regulating the temperature inside transmitter protection boxes or switch and control cabinets.

It can also be used for monitoring (indicating) temperatures that are too high or too low and it can serve as an alarm contact.

➔ Technical data

Protection class

IP 66/EN 60529

Connection strands

2 x H07G-K 1.5 mm
0.5 m long

Enclosure material

Polyamide

Max. temperature at the site of utilisation

+70 °C

Minimum storage temperature

-20 °C

■ Electrical data

Switching capacity

AC 230 V/6 A

Contact element

N/C contact
(opens when temperature increases)

Tolerance for switching points

14 °C ± 5 K
4 °C ± 3 K
25 °C ± 3.5 K
15 °C ± 3.5 K

Selection chart

Temperature switching points	Code no.
+4 °C to +14 °C	7
+15 °C to +25 °C	8

➔ **Complete order no. 05-0060-008**

Please enter correct code. Technical data subject to change without notice.