



Junction boxes for Pt100 Ex

➔ Explosion protection

Ex protection type

- ⊕ II 2G Ex e ia IIC T6 or T5 Gb
- ⊕ II 2D Ex tb IIC T80 °C, T95 °C Db

Certification

PTB 08 ATEX 1064
IECEx PTB 09.0009

Other variants available for:
USA, Canada, Russia

➔ Technical data

Protection class according to EN 60529

Cover gasket IP 65

Cable gland for IP 67
power supply cables

Nominal voltage

max. AC 60 V

Supply cable, cross section

2.5 mm²

Impact resistance

7 Nm

Material

polyester, glass-fibre reinforced

Ambient temperature range

-20 °C to +40 °C T6

-20 °C to +55 °C T5

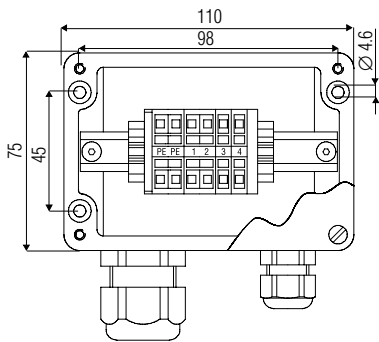
Description

The Pt100 Ex junction boxes allow one or more two-wire or three-wire Pt100 resistance thermometers to be connected to the signal line.

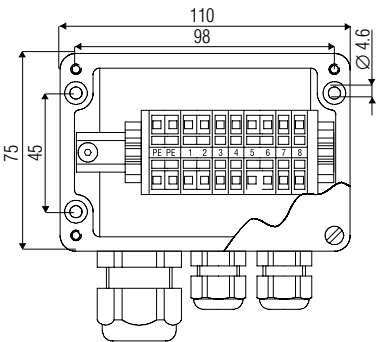
The enclosures have the appropriate terminals and the required cable glands.

Aluminium junction boxes are available upon request.

Junction box single



Junction box double



Selection chart

Used for	Junction box	Dimensions mm	Cable gland		Terminals mm ²	➔ Order no.
			for the signal line	Pt100		
⊕ Pt100, Ex e	single	110 x 75 x 55	1 x M25 (Ø 7 to 17 mm)	1 x M16 (Ø 4 to 9 mm)	8 x 2.5; 4 x PE	07-5103-9024
	double	110 x 75 x 55	1 x M25 (Ø 7 to 17 mm)	2 x M16 (Ø 4 to 9 mm)	16 x 2.5; 4 x PE	07-5103-9025
⊕ Pt100, Ex i	single	110 x 75 x 55	1 x M25 (Ø 7 to 17 mm)	1 x M16 (Ø 3 to 6 mm)	8 x 2.5	07-5107-9003
	double	110 x 75 x 55	1 x M25 (Ø 7 to 17 mm)	2 x M16 (Ø 3 to 6 mm)	16 x 2.5	07-5107-9004

Technical data subject to change without notice.