



Terminal box

Fields of application

- Connection of lamps, devices and sensors
- Zone 1/Zone 2

Description

The explosion-proof terminal boxes of glass-fiber reinforced plastic come with pillar terminals.

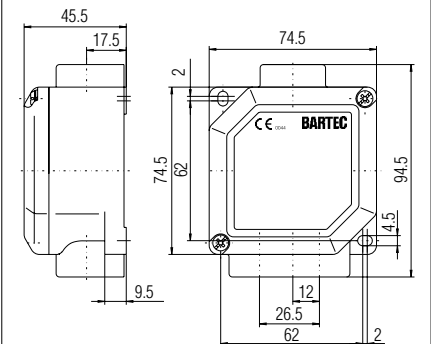
Lid and base are secured with captive screws. The box has pillar terminals and threads (see selection chart).

All holes for cable entries not used, have to be sealed by means of Ex-certified stopping plugs.

The terminal box is also suitable for the connection of intrinsically safe circuits.

Such cases require special markings. The box is mounted via fixing holes located outside of the terminal compartment.

Dimensions (in mm)



Explosion protection

Ex protection type (EN 60079-0)

ATEX Ex II 2G Ex e II T6

Certification

PTB 08 ATEX 1061

IECEX Ex e II T6

Certification

IECEX PTB 09.0066x

Other approvals and certificates, see www.bartec-group.com

Ambient temperature

-20 °C to +40 °C

Technical data

Material

glass-fibre reinforced polyester, colour: RAL 7035

Lid screws

stainless steel, captive, cross-head, M 4

Seals

EPDM -20 °C to +80 °C

Mechanical resistance

according to EN 60079-0 impact energy 7 Nm

Protection class

IP 65 (EN 60529/IEC 60529)

Terminals

4 or 5 Ex e II pillar terminals according to execution max. 2 x 4 mm², single-wire

Rated voltage

max. 690 V

Rated current

max. 27

Selection chart accessories/spare parts

	Cable glands	Stopping plugs
M20 x 1.5	03-6062-0127 (6 to 112 mm)	03-5210-0064
M20 x 1.5	07-9534-2M2 (5 to 19 mm)	-
M20 x 1.5	07-9534-3M2 (10 to 114 mm)	-

Terminal boxes Ex e, 690 V (just drilling, without cable glands)

Name	Order no.
4 sheath clamps 2 x 4 mm ² , 1 x M20 x 1.5 + 2 x M20 x 1.5	07-5311-2320/DD00
5 sheath clamps 2 x 4 mm ² , 1 x M20 x 1.5 + 2 x M20 x 1.5	07-5311-2420/DD00

Terminal boxes Ex e, 690 V (with metric polyamide cable glands)

Name	Order no.
4 sheath clamps 2 x 4 mm ² 1 x M20 x 1.5 (6 to 12), 2 x M20 x 1.5 (5 to 9)	Ex e 07-5311-9014
3 x M20 x 1.5 (6 to 12)	Ex e 07-5311-2320/FF00
1 x M20 x 1.5 (10 to 14), 2 x M20 x 1.5 (6 to 12)	Ex e 07-5311-9016
5 sheath clamps 2 x 4 mm ² 1 x M20 x 1.5 (6 to 12), 2 x M20 x 1.5 (5 to 9)	Ex e 07-5311-9015
3 x M20 x 1.5 (6 to 12))	Ex e 07-5311-2420/FF00
1 x M20 x 1.5 (10 to 14), 2 x M20 x 1.5 (6 to 12)	Ex e 07-5311-9017

Terminal boxes Ex i (with metric polyamide cable glands)

Name	Order no.
4 sheath clamps 2 x 4 mm ² , 3 x M20 x 1.5 (6 to 12)	Ex i 07-5311-9009
5 sheath clamps 2 x 4 mm ² , 3 x M20 x 1.5 (6 to 12)	Ex i 07-5311-9010