



Local control stations for Zone 1 and Zone 21

Features

- The right size/material enclosure
- Optimum functionality thanks to the great variety of components
- Customised planning and implementation
- Certified to many standards

Description

BARTEC produces local control stations for use in areas with flammable gases and dusts. Depending on the application area, the control stations are designed with the type of protection "Increased safety" or "Protection by enclosure".

The explosion-protected local control stations are available in aluminium, polyester or stainless steel. When selecting the version, you can choose between a cabinet with door and an enclosure with screw cover.

Control, signalling and display devices and remote I/O systems are installed according to customer specifications.

The installation of industrial standard equipment in controls for Zone 21, type of protection tb "Protection by enclosure" is possible.

The control elements can also be mounted on a mounting rail or in the front wall. Free installation

areas can be designated for the subsequent installation of BARTEC control and signalling devices, which are then sealed using blanking plugs.

All explosion-protected local control stations are supplied prewired on terminals.

Fields of application

Chemical and petrochemical industry, process and plant engineering, pharmaceutical and food industry, OFF SHORE areas.



Explosion protection

Ex protection type

(depending on the components installed)

for Zone 1

Ex II 2G Ex d e ma/mb op is q ia/ib [ib]
IIA, IIB, IIC, T6, T5, T4, T3 Gb

Ex II 2(1)G Ex d e ma/mb op is q ia/ib [ia Ga]
IIA, IIB, IIC, T6, T5, T4, T3 Gb

for Zone 21

Ex II 2D Ex tb [ib] IIIA, IIIB, IIIC
T80 °C, T100 °C, T130 °C Db

Ex II 2(1)D Ex tb [ia Da] IIIA, IIIB, IIIC
T80 °C, T100 °C, T130 °C Db

Ambient temperature

(special design on request)

-20 °C to +40 °C

-55 °C max. +80 °C

(depending on fixtures)

Certification

IBExU 12 ATEX 1099

IECEx IBE 12.0031

Technical data

Material

Type 07-3.01 with lid

aluminium
ALSi 12, pressure or chill casting
RAL 7001 silver grey

Type 07-3.03 with lid

glass-fibre reinforced polyester
RAL 9005, deep black

Type 07-3.09 mit door

glass-fibre reinforced polyester
RAL 9011, graphite black

Type 07-3.13 with door

High-quality stainless steel 1.4301 (304)

Type 07-3.32 with lid

High-quality stainless steel 1.4404 (316L)
Enclosure with lid

Type 07-3.36 with door

High-quality stainless steel 1.4404 (316L)

Seals

EPDM (Standard)

-20 °C to +85 °C

PU (Standard at 07-3109)

-20 °C to +80 °C

Silicone

-55 °C to +100 °C

Mechanical strength

(acc. to DIN EN 60079-0)

Impact energy 7 Nm

Protection class

(higher degree of protection on request)

EN 60529/IEC 60529

max. IP 66

Electrical data

Rated voltage

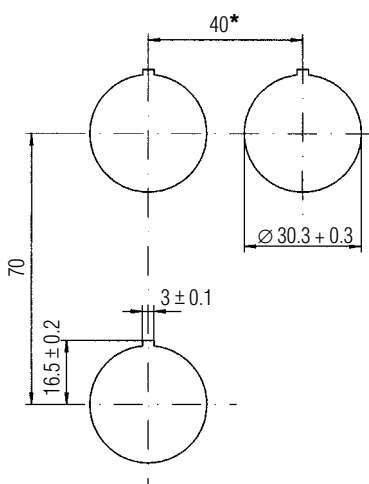
up to 1000 V

Rated current

max. 160 A depending on devices fitted

Mounting dimensions

for switching and light elements according to EN 60947-5-1



* Recommended distance for mushroom pushbutton, emergency switch as well as position selector with protective shroud: 100 mm.

Configuration data for control stations

Type of enclosure 07-3 -

Dimensions Width _____ Height _____ Depth _____

Nominal voltage AC _____ V DC _____ V

Threaded glands _____